

THE "PLUG-AND-PAN SOLUTION"

New generation of panoramic dental radiology combining innovation and a user-friendly design. TROPHYPAN is the first completely digital device. Without any unnecessary gadgets, the TROPHYPAN opts for useful innovation as regards of convenience and ease of use. With its 5 programs in standard, TROPHYPAN provides all the diagnostic needs of most of the dentists.

100% PRACTICAL

- A user-friendly software control interface.
- Ergonomic design and easy positioning (face-to-face design).
- Convenience and efficiency of digital radiology.

100% DIGITAL

- Built-in digital CCD sensor - direct and real time acquisition.
- Simple and high performance image processing.
- Easy image filing, exchanging and sharing.

100% ECONOMICAL

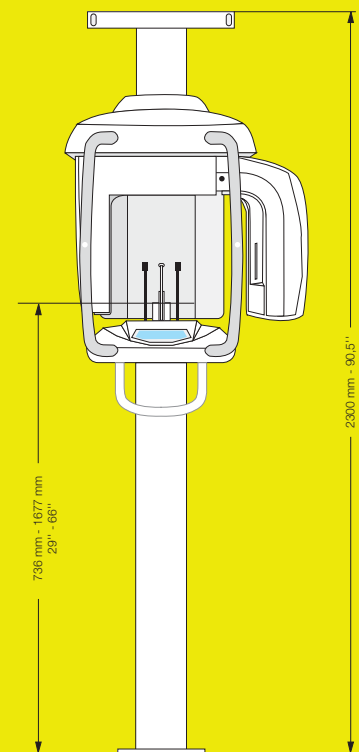
- Exceptional value for money.
- Cost and time savings.
- Quick return on investment.

TECHNICAL SPECIFICATIONS

X-ray generator	High frequency (140 kHz max)
Voltage	100-130 V / 230-240 V 50-60 Hz
Tube voltage	60 kV - 90 kV (by steps of 1 kV)
Tube current	2 to 15 mA
Focal spot	0.5 mm IEC
Procedures and exposure times	Adult and child panoramic Maxillary sinus - TMJ 2 lateral views TMJ 4 lateral views Segmented panoramic images
Magnification	x 1.27
Patient's positioning	3 laser beams
Digital sensor	CCD sensor + optical fiber plate
Dimension of the matrix	2500 x 1244 pixels
Effective resolution	Equivalent to film
Exposure reduction	Up to 70 % compared with film
Weight	180 kg



FRONTAL VIEW



TOP VIEW

