



# Ergotron® HD Series Cart

Superior ergonomic mobile computing

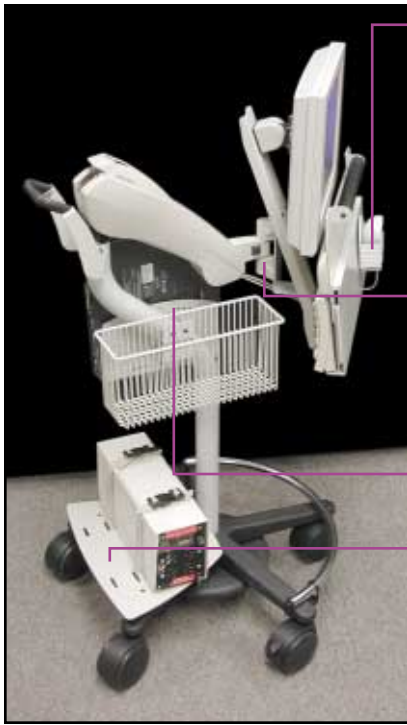
## Highlights

- *15" single-motion height adjustment for sit-to-stand use*
- *Ships assembled*
- *Stable five-leg base with minimal footprint reduces space requirements*
- *Highly durable, 4-inch casters (lockable) for smooth, reliable travel*
- *Accommodates entire computer system*
- *Easy to clean exterior*
- *Heavy-duty construction*
- *Optional accessories allow customization of each cart*
- *VESA® Flat Display Mounting Interface (FDMI™) Standard compliant for easy monitor attachment*
- *Optional Ergotron Power System (EPS 100/48) enables true wireless applications, UL 60950 certified*
- *Industry-leading warranty*



The HD Series Cart provides an ergonomically-correct, cost-effective and customizable mobile workstation. Ergotron's patented ARMS technology is incorporated to offer single-motion, sit-to-stand adjustability; quick-adjustment features optimize screen viewing. Choose from several optional accessories to configure a cart that matches your specific requirements—including wireless applications.





Mouse Pouch, Mouse Pad and Wrist Rest come standard with carts. Left/right slide-out mouse tray is standard.

Monitor & keyboard assembly rotates side-to-side independently from arm, up to 180°.

CPU Holder adjusts to fit your data processing device.

Base Tray.



Document Holder/Writing Surface: Offers a flexible means of positioning written documentation. Both surfaces can be stowed behind the screen when not in use.

Adjustable distance between top of monitor and keyboard.



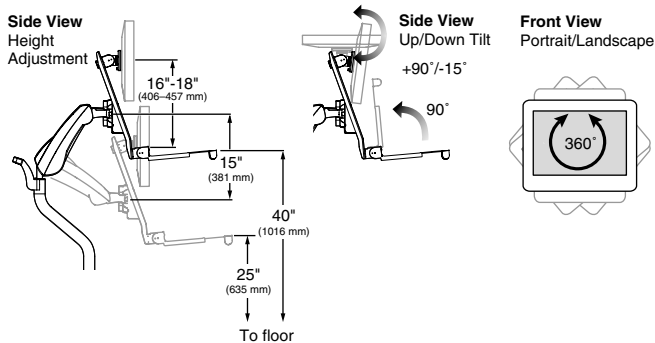
Locking security shroud and anti-glare protective screen.

Laptop Tray has left/right slide-out mouse tray standard.

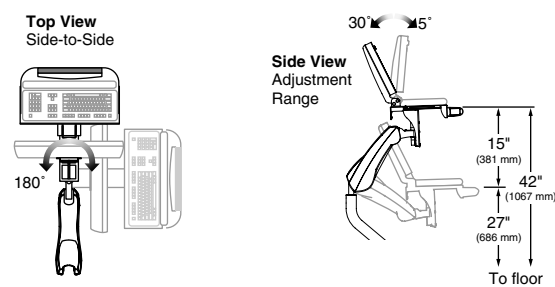
Ergotron Power Supply (EPS 100/48) enables true wireless applications.

Five 4" Casters—two are lockable.

### Flat Panel Monitor Range of Motion/Dimensions:



### Laptop Range of Motion/Dimensions:



### Basic Specifications:

**Footprint:** 27" diameter (686 mm)

#### Monitor Interface Pad Options:

- VESA MIS-D, 100/75, C
- Custom Interface Plate (contact Ergotron for details and availability)

**Colors:** Available in grey

#### Weight Capacity for HD Arm:

- Flat panel monitor: 25 lbs (11.4 kg)
- with keyboard: 45 lbs (20.4 kg) total
- Laptop computer: 20 lbs (9 kg)

**Flat Panel Monitor Configuration:** Monitor Mounting, Lift Arm, Keyboard Mounting, Wrist Rest, Mouse Pad, Mouse Pouch, Handle, Pole, Base, Base Weight, Casters

**Laptop Configuration:** Laptop Tray, Lift Arm, Laptop Security Shroud, Mouse Pad, Mouse Pouch, Handle, Pole, Base, Base Weight, Casters

**Accessory Options:** Ergotron Power Supply (EPS 100-AMP-hour or 48-AMP-hour), Base Tray, Cable Box, CPU Holders, Wire Basket, Document Holder/Writing Surface, and Footrest (some accessories are not available when the EPS System is on the cart)

© 2003 Ergotron, Inc.  
rev. 04/29/2003 870-05-047

**Ergotron, Inc.**  
1181 Trapp Road  
St. Paul, MN 55121  
(800) 888-8458  
Fax (651) 681-7717  
www.ergotron.com  
sales@ergotron.com

**Ergotron Europe**  
Hogehilweg 8  
1101 CC Amsterdam ZO  
The Netherlands  
Tel. +31 20 312.29.39  
Fax. +31 20 312.29.40  
info.eu@ergotron.com

